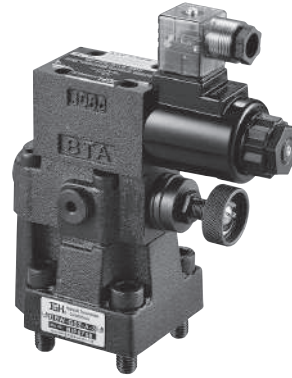
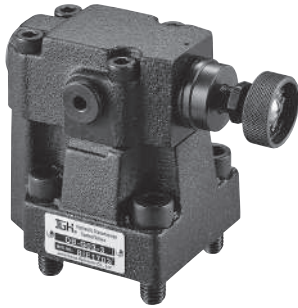


### Pilot Operated Relief Valve & Solenoid Control Relief Valve



#### 特點

#### CHARACTERISTICS

- 最高使用壓力320 kgf/cm<sup>2</sup>
- 用於底板安裝
- 用於油路塊安裝
- 借助於安裝在其上的方向電磁閥操作卸荷

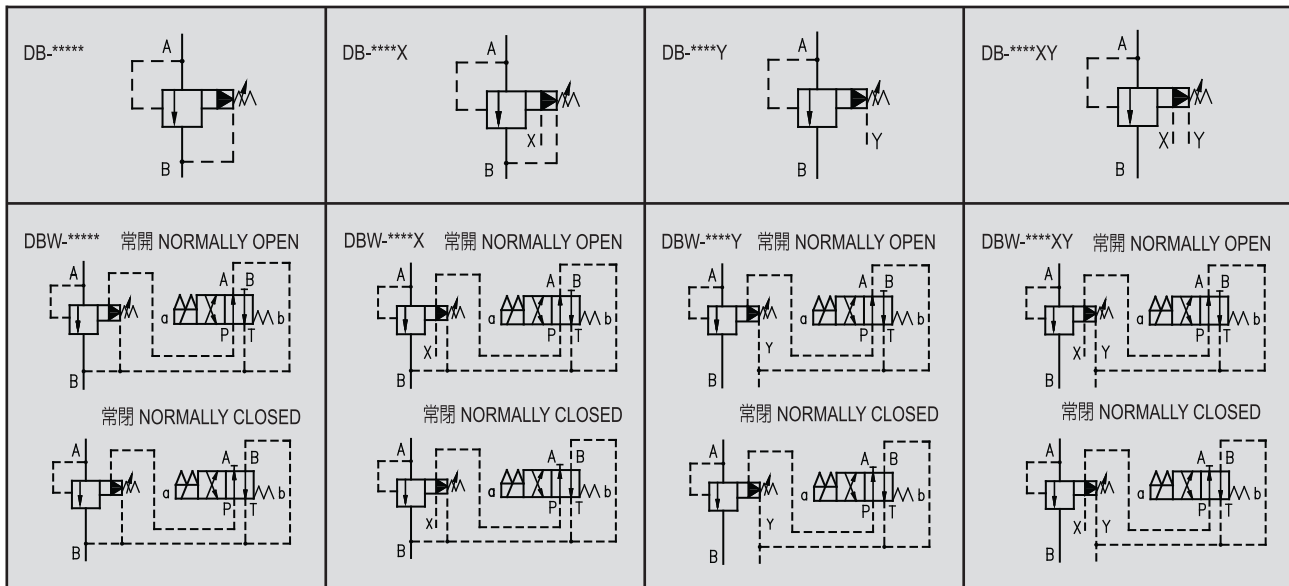
- Max.operated pressure 320 kgf/cm<sup>2</sup>
- For subplate mounting
- For installation in manifolds
- Solenoid operated unloading via a built-in directional spool valve, or directional poppet valve

#### 4WE-06電磁閥重量 SOLENOID WEIGHT (kg)

	AC	DC
帶1個電磁鐵 Single coil	1.6	1.7
帶2個電磁鐵 Two coils	2.1	2.1

型式 MODEL	O型環油口A,B O RING A,B PORT	O型環油口X O RING X PORT	附屬安裝螺絲 SOCHOL CAP SCREW	安裝扭矩 MOUNTING TORQUE N·m	底板型式 SUBPLATE TYPE
DB,DBW-G03	P018	P009	M12 x 40L...4pcs	104~127	MA-02-1
DB,DBW-G06	P028	P009	M16 x 50L...4pcs	253~310	MA-02-2
DB,DBW-G10	P034	P009	M20 x 55L...4pcs	493~603	MA-02-3

#### 閥類型符號 SYMBOL

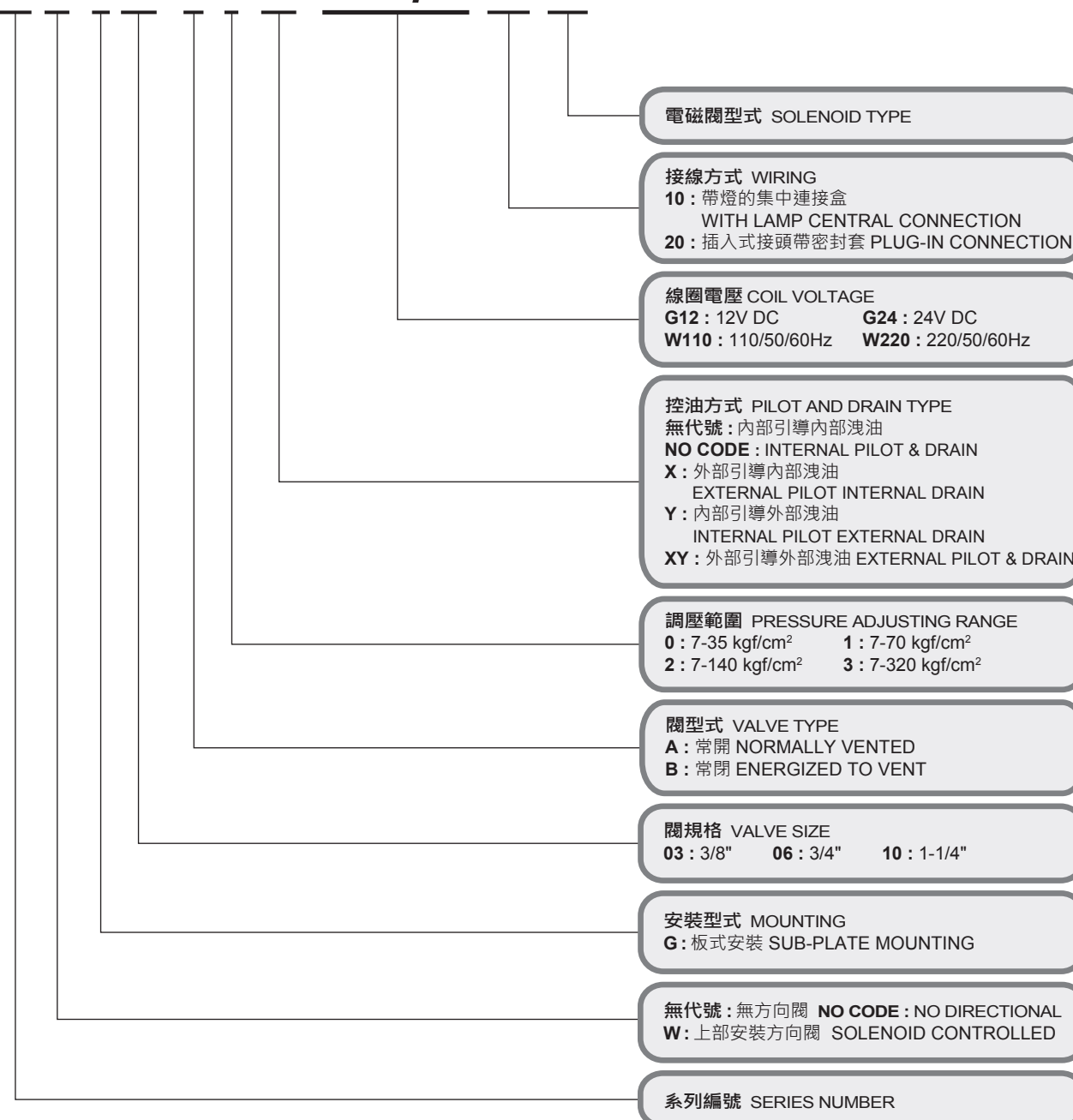


## 規格說明 SPECIFICATION

型式 MODEL		最高使用壓力 MAX. OPERATING PRESSURE kgf/cm <sup>2</sup>	調壓範圍 PRESSURE ADJ. RANGE kgf/cm <sup>2</sup>	最大流量 MAX. FLOW L/min	Y口容許背壓 MAX. BACK kgf/cm <sup>2</sup>	重量 (不含電磁閥) WEIGHT(NO CONTAIN SOLENOID VALVE) kg	
DB-G03	DBW-G03	320	0 : 7-35	100	160	3.5	3.4
DB-G06	DBW-G06		1 : 7-70 2 : 7-140	200	160	4.5	4.4
DB-G10	DBW-G10		3 : 7-320	400	160	6.0	5.9

## 型號說明 HOW TO ORDER

# DB W - G 06 - A - 3 - XY - W220/50 - 20 - 40



## 功能說明

## FUNCTIONAL DESCRIPTION

DB/DBW型壓力控制閥是先導式溢流閥。

它們用於限制(DB)或用電磁閥(DBW)限制及卸荷系統壓力,該溢流閥(DB)的組成主要包括帶主閥芯插件(3)的主閥(1)和帶壓力調節元件的先導閥(2)。

## DB型溢流閥

油路A中的壓力作用於主閥芯(3)上。同時,壓力經帶節流孔(4)和(5)的控制通路(6)和(7)作用在主閥芯(3)的彈簧加載側及先導閥(2)的球(8)上,如果通路A的壓力超過彈簧(9)的設定值球(8)克服彈簧(9)開啟。

對此該信號由控制線(10)和(6)從A通路內部供給。主閥芯(3)彈簧加載側的油液經過控制通路(7)節流(11)和球閥(8)流入彈簧腔(12),從這裡內部供給-DB.型由控制通路(13)或外部供給-DB..-5X.Y型,由控制通路(14)引入油箱,節流孔(4)和(5)在主閥芯(3)產生壓降由A管至B管連接口打開,油液由A管流向B管而設定工作壓力保持不變。溢流閥借助油口X(15)可對不同壓力(第二個壓力額定值)卸荷或切換。

## General

DB,DBW Pressure valve are pilot operated pressure relief valve.

They are used for the limitation (DB) or limitation and solenoid actuated unloading (DBW) of the operating pressure. The pressure relief valve (DB) consist mainly of the main valve (1) with main spool assembly (3) and pilot valve (2) with pressure adjustment element.

## Pressure relief valve type DB

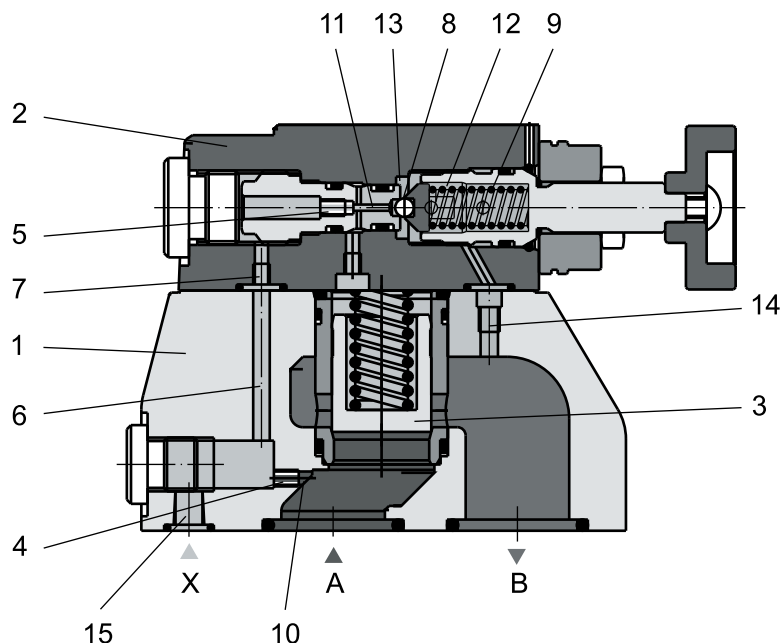
The pressure present in port A acts on the main spool (3). At the same time pressure is present via the control lines (6) and (7), which are fitted with orifices (4) and (5) on the spring loaded side of the main spool (3) and at the ball (8) in the pilot valve (2). If the pressure in port A exceeds the valve set at the spring (9) the ball (8) opens against the spring (9).

The signal for this comes internally via the control lines (10) and (6) from port A. The pressure fluid on the spring loaded side of the main poppet (3) now flows via the control line (7), orifice bore (11) and ball (8) into the spring chamber (12). In type DB..-5X/.. it flows internally via the control line (13) to tank, or, in type DB..5X/..Y.. externally via the control line (14). Due to the orifices (4) and (5) a pressure drop occurs at the main spool (3), the connection from port A to port B is open. Now the pressure fluid flows from port A to port B whilst maintaining the set operating pressure.

The pressure relief valve may be unloaded or switched over to a different pressure (second pressure stage) via port "X" (15).

## 剖面圖

## SECTION



## 測試條件 PERFORMANCE CURVES

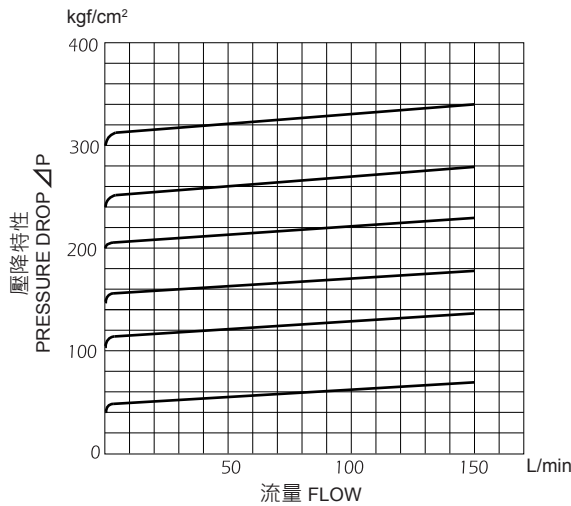
測試油黏度 TEST FLUID VISCOSITY : 35cSt

測試油溫度 TEST TEMPERATURE : 50°C

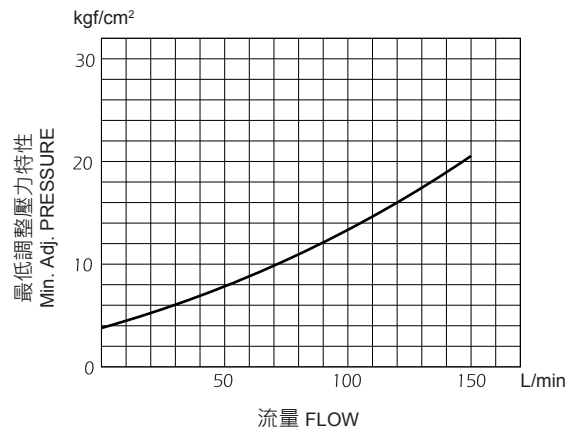
### 流量-壓力測試 NOMINAL OVERRIDE

### 最低調整壓力特性 Min. Adj. PRESSURE

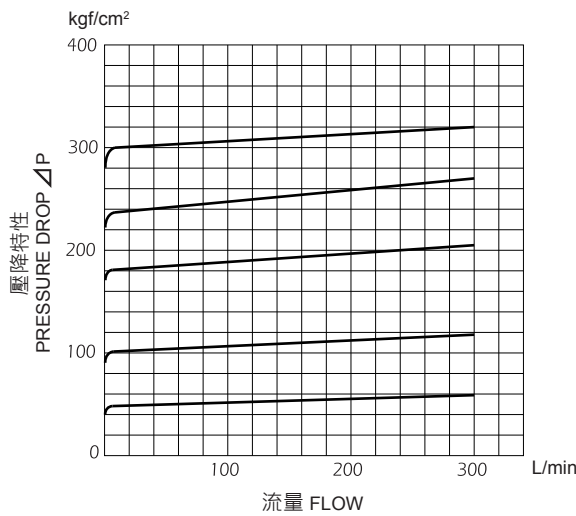
#### ● DB, DBW-G03



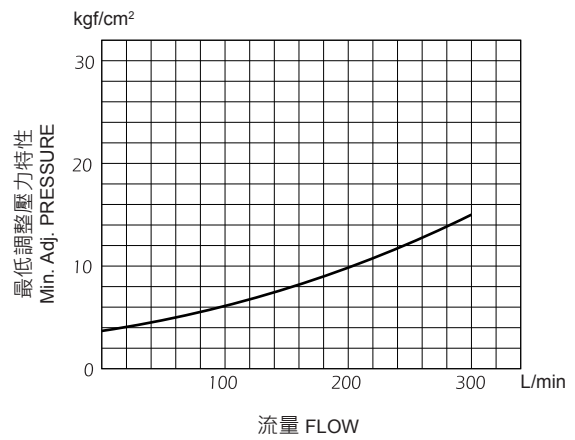
#### ● DB, DBW-G03



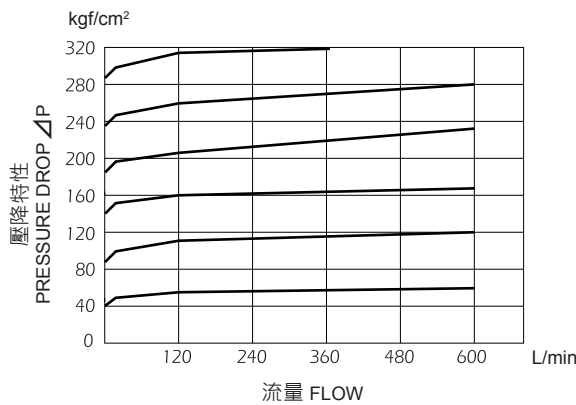
#### ● DB, DBW-G06



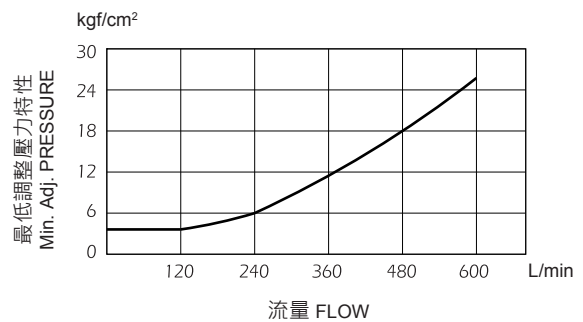
#### ● DB, DBW-G06



#### ● DB, DBW-G10



#### ● DB, DBW-G10

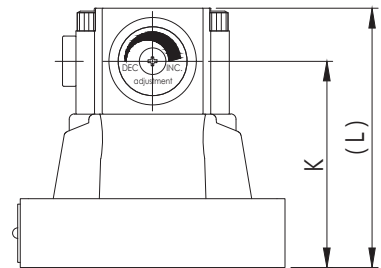
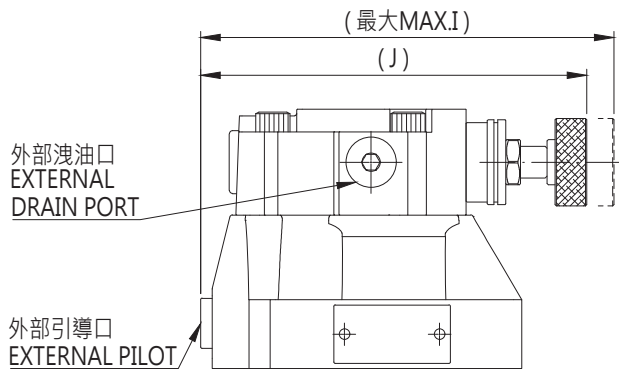
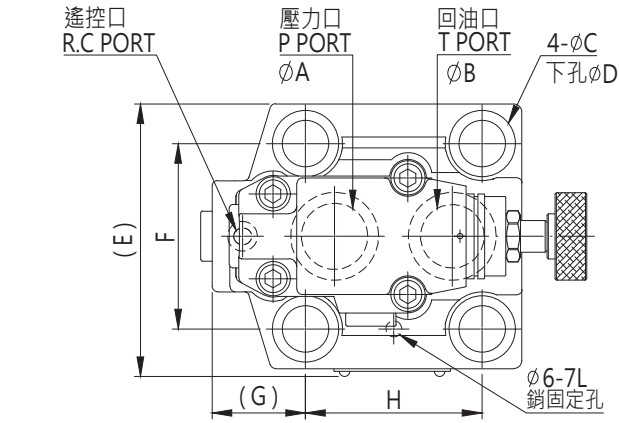


單位 UNIT : mm

安裝尺寸 INSTALLATION DIMENSIONS

**DB-G03~10**

通用底板尺寸  
 APPLICATIVE  
 SUB-PLATE DIMENSIONS  
**DB-G03 ( MA - 02 - 1 )**  
**DB-G06 ( MA - 02 - 2 )**  
**DB-G10 ( MA - 02 - 3 )**  
 (詳見 E01-01 Page E01-01)



型式 MODEL	A	B	C	D	E	F
DB-G03	15	15	20	13	81	53.8
DB-G06	25	25	25	17.5	103	70
DB-G10	30	30	31.5	21.5	117	82.6

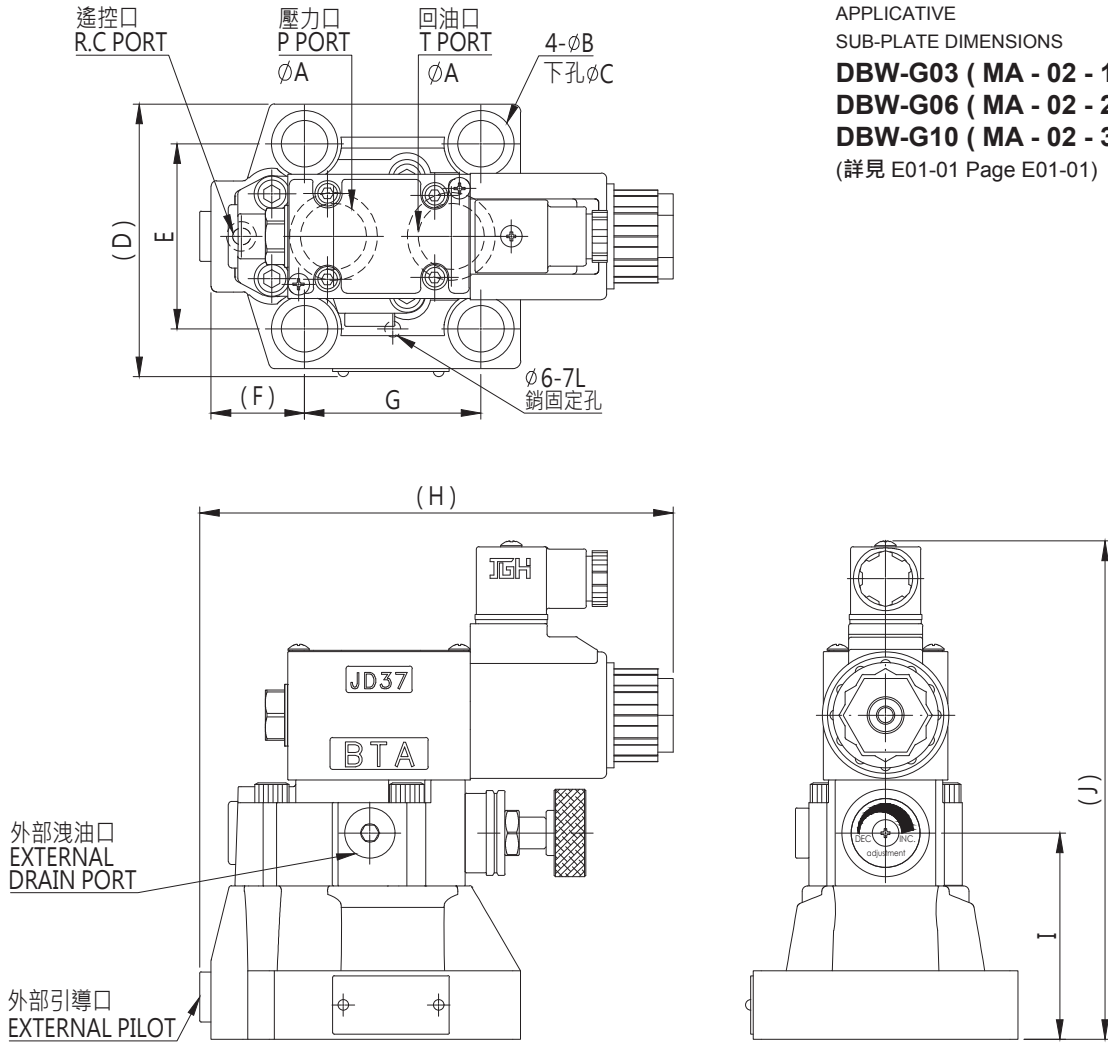
型式 MODEL	G	H	I	J	K	L
DB-G03	31.1	53.8	139.5	136.5	78	98
DB-G06	35.3	66.7	146	143	78	98
DB-G10	41.6	88.9	155.5	152.5	78	98

單位 UNIT : mm

**安裝尺寸 INSTALLATION DIMENSIONS**

**DBW-G03~10**

通用底板尺寸  
 APPLICATIVE  
 SUB-PLATE DIMENSIONS  
**DBW-G03 ( MA - 02 - 1 )**  
**DBW-G06 ( MA - 02 - 2 )**  
**DBW-G10 ( MA - 02 - 3 )**  
 (詳見 E01-01 Page E01-01)



型式 MODEL	A	B	C	D	E
DBW-G03	15	20	13	81	53.8
DBW-G06	25	25	17.5	103	70
DBW-G10	30	31.5	21.5	117	82.6

型式 MODEL	F	G	H	I	J
DBW-G03	31.1	53.8	172.5	78	188
DBW-G06	35.3	66.7	179	78	188
DBW-G10	41.6	88.9	188.5	78	188